

Application

*Air pollution monitor (sampling)

*Photo processing (agitation)

*Ice making machine (agitation)

*OEM pumping units

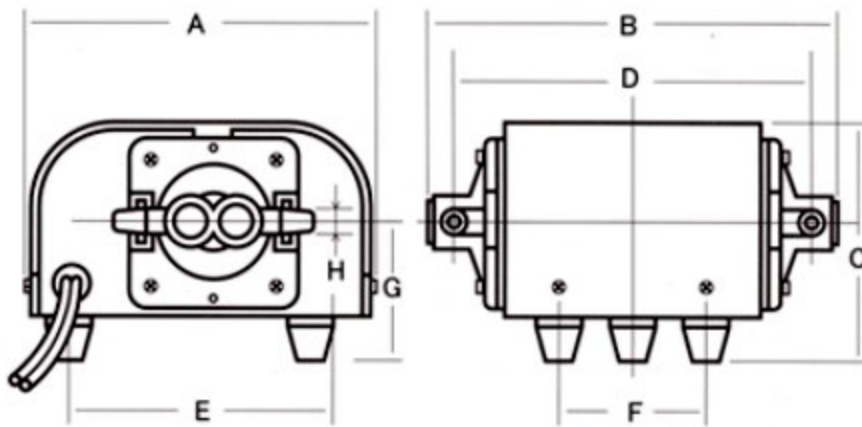
Specifications

TYPE		3EBS		6EBS		15EBS		25EBS	
Rated Voltage	V	AC100/120/220-240							
Power Supply Frequency	Hz	50	60	50	60	50	60	50	60
Normal Pressure	kPa	9.8							
Exhaust Volume	/min	5.5	6.5	7.5	9.0	18.0	20.0	26.0	28.0
Power Consumption	W	7.5	6.5	8.5	8.5	19.0	18.0	25.0	25.0
Noise Level	dBA(1m)	40	43	45	48	52	55	55	57
Weight	kg	0.85		0.85		1.35		1.9	

Dimensions in mm

*Noise Level : Values for units with optional seal packing

*Single nozzle also available.



• Product Image

