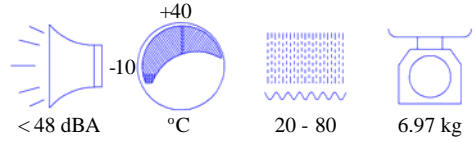
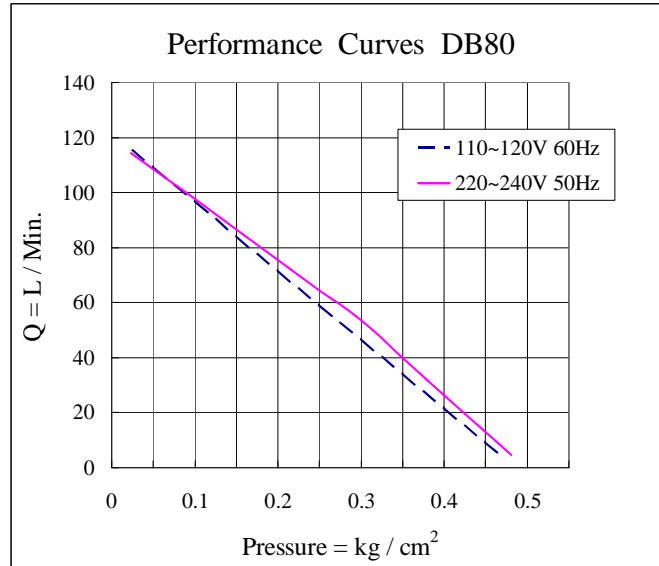


## Model No. DB80

Performance / Rendimiento / Prestanda

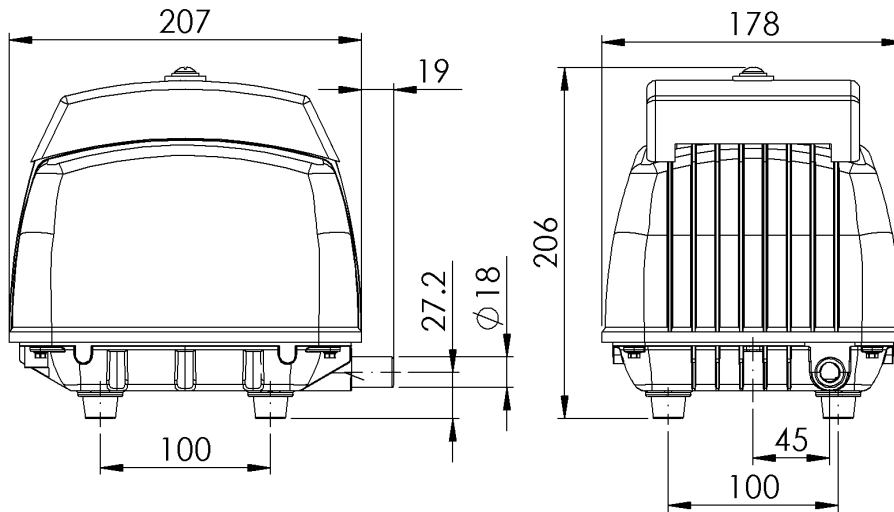


★ Allowance : ±5%



### Exhaust

Dimensions / Dimensioner (mm)



**Operating range : 0.1 to 0.25 kg/cm<sup>2</sup>**

Model No.	Voltage (VAC)	Frequency (HZ)	Rated Pressure (kg/cm <sup>2</sup> )	Airflow (LPM)	AMP (A)	WATT (W)
DB80	110 ~ 120	60	0.15	84	1.7	78
DB80	220 ~ 240	50	0.15	87	0.95	89

**Diann Bao Inc.**

✉ E-mail: [airmac@airmac.com.tw](mailto:airmac@airmac.com.tw)

☎ Tel: +886-4-7621838

☎ Fax: +886-4-7617617

[www.airmac.com.tw](http://www.airmac.com.tw)