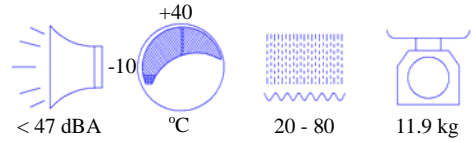
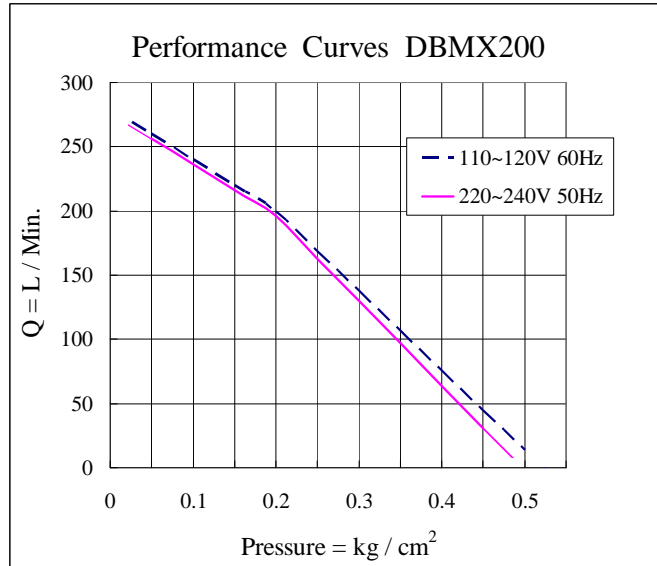


Model No. DBMX200

Performance / Rendimiento / Prestanda

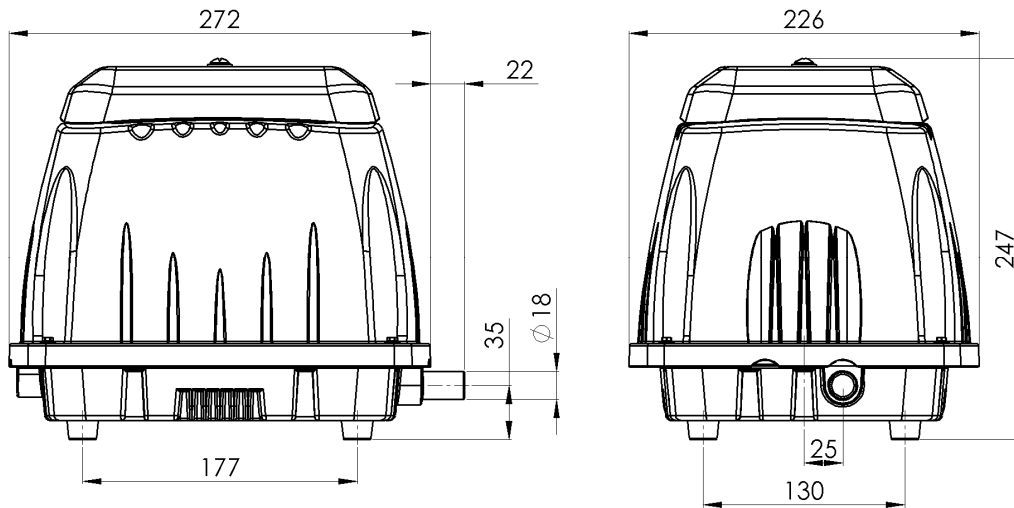


★ Allowance : ±5%



Exhaust

Dimensions / Dimensioner (mm)



Operating range : 0.1 to 0.25 kg/cm²

Model No.	Voltage (VAC)	Frequency (HZ)	Rated Pressure (kg/cm ²)	Airflow (LPM)	AMP (A)	WATT (W)
DBMX200	110 ~ 120	60	0.2	200	3.2	190
DBMX200	220 ~ 240	50	0.2	200	1.75	186

Diann Bao Inc.

www.airmac.com.tw

✉ E-mail: airmac@airmac.com.tw

☎ Tel: +886-4-7621838

☎ Fax: +886-4-7617617