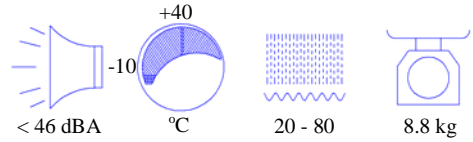
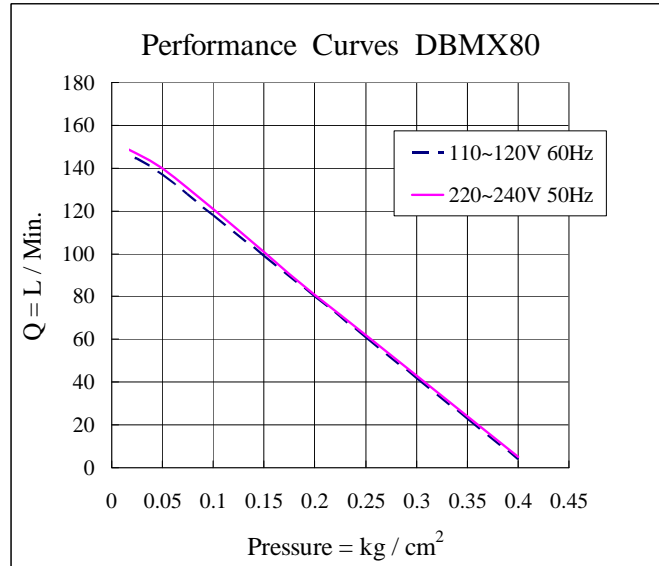


Model No. DBMX80

Performance / Rendimiento / Prestanda

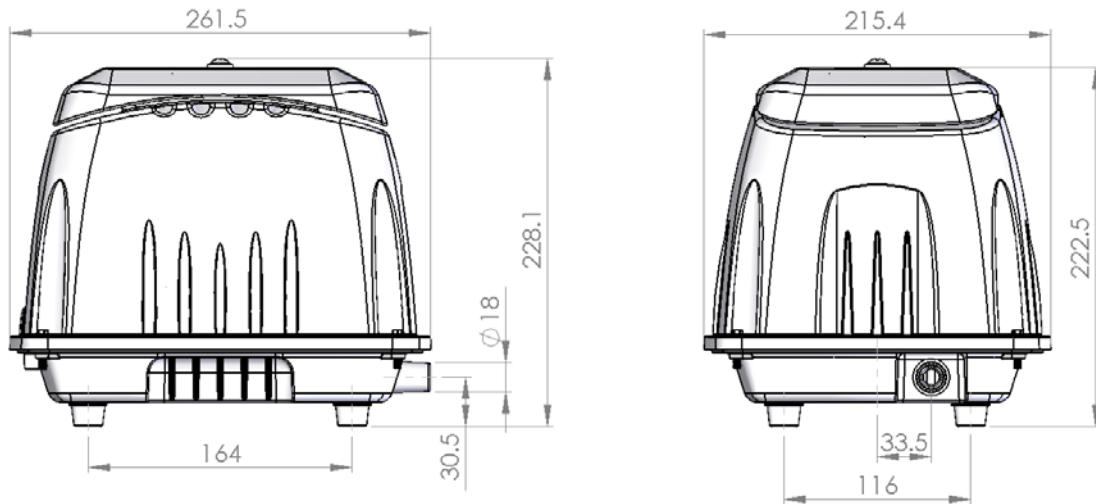


★ Allowance : $\pm 5\%$



Exhaust

Dimensions / Dimensioner (mm)



Operating range : 0.1 to 0.25 kg/cm²

| Model No. | Voltage (VAC) | Frequency (HZ) | Rated Pressure (kg/cm ²) | Airflow (LPM) | AMP (A) | WATT (W) |
|-----------|---------------|----------------|--------------------------------------|---------------|---------|----------|
| DBMX80 | 110 ~ 120 | 60 | 0.18 | 83 | 1.1 | 71 |
| DBMX80 | 220 ~ 240 | 50 | 0.18 | 83 | 0.52 | 68 |

Diann Bao Inc.

www.airmac.com.tw

✉ E-mail: airmac@airmac.com.tw

☎ Tel: +886-4-7621838

☎ Fax: +886-4-7617617